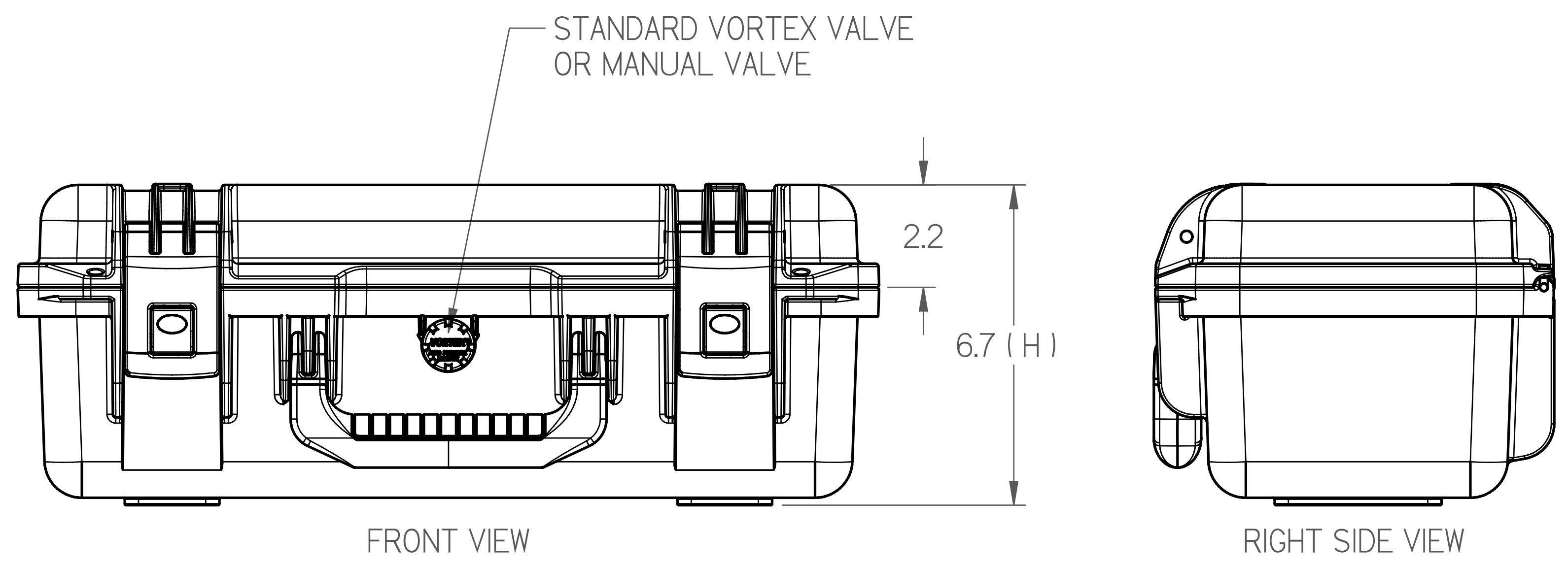


1:2



Model No.:	iM2306
Case Weight (lbs. Empty)	4.3 lbs.
Interior Length	17.0 in [432 mm]
Interior Width	06.3 in [160 mm]
Interior Height (overall)	06.2 in [157 mm]
Interior Lid Height	02.0 in [050 mm]
Exterior Length (L)	18.2 in [462 mm]
Exterior Width (W)	08.4 in [213 mm]
Exterior Height (H)	06.7 in [170 mm]
Master Pk. Qty.	--
Master Pk. Wt.	-- lbs

RECOMMENDED MAX PAYLOAD 35 LBS

COMPUTER CONTROLLED DOCUMENT
MANUAL CHANGES NOT ALLOWED

NOTES;
SEE STORM CASE LITERATURE FOR STANDARD CASE COLORS, CUSHION INTERIORS, AND P/N FOR ORDERING.
FOR REFERENCE ONLY

<small>This drawing and all copies and the design and data shown are the property of HARDIGG INDUSTRIES, INC. So. Deerfield, MA U.S.A. and include proprietary information. The borrower by receipt or retention of the drawing agrees that, except as expressly authorized in writing by HARDIGG INDUSTRIES, INC. it will (1) not use the drawing or any copy of the design or data shown (2) not reproduce, copy, excerpt, exhibit or distribute the drawing or any copy for use by others and (3) upon demand return the drawing, all copies and all material copies therefrom.</small>		147 North Main Street P.O. Box 201 South Deerfield, MA 01373-0201 USA T: 413-665-2163 or 800-542-7344 F: 413-665-8061 http://www.stormcase.com		TITLE: Hardigg Storm Case	
SIZE	CAGE CODE	Model No.	REV.		
D	11214	iM2306	01		
Scale 1/2				Sht No.	1 of 1